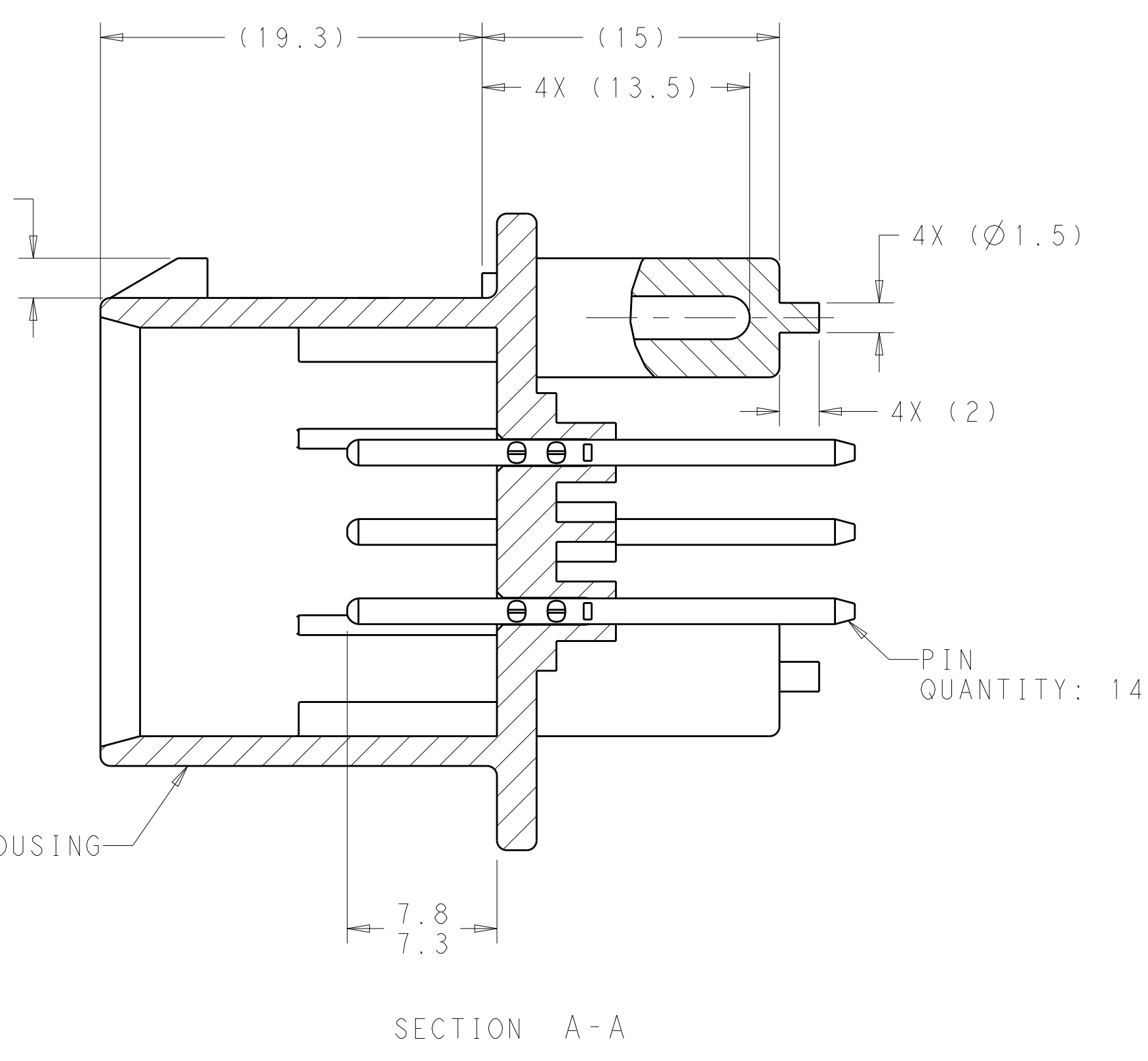
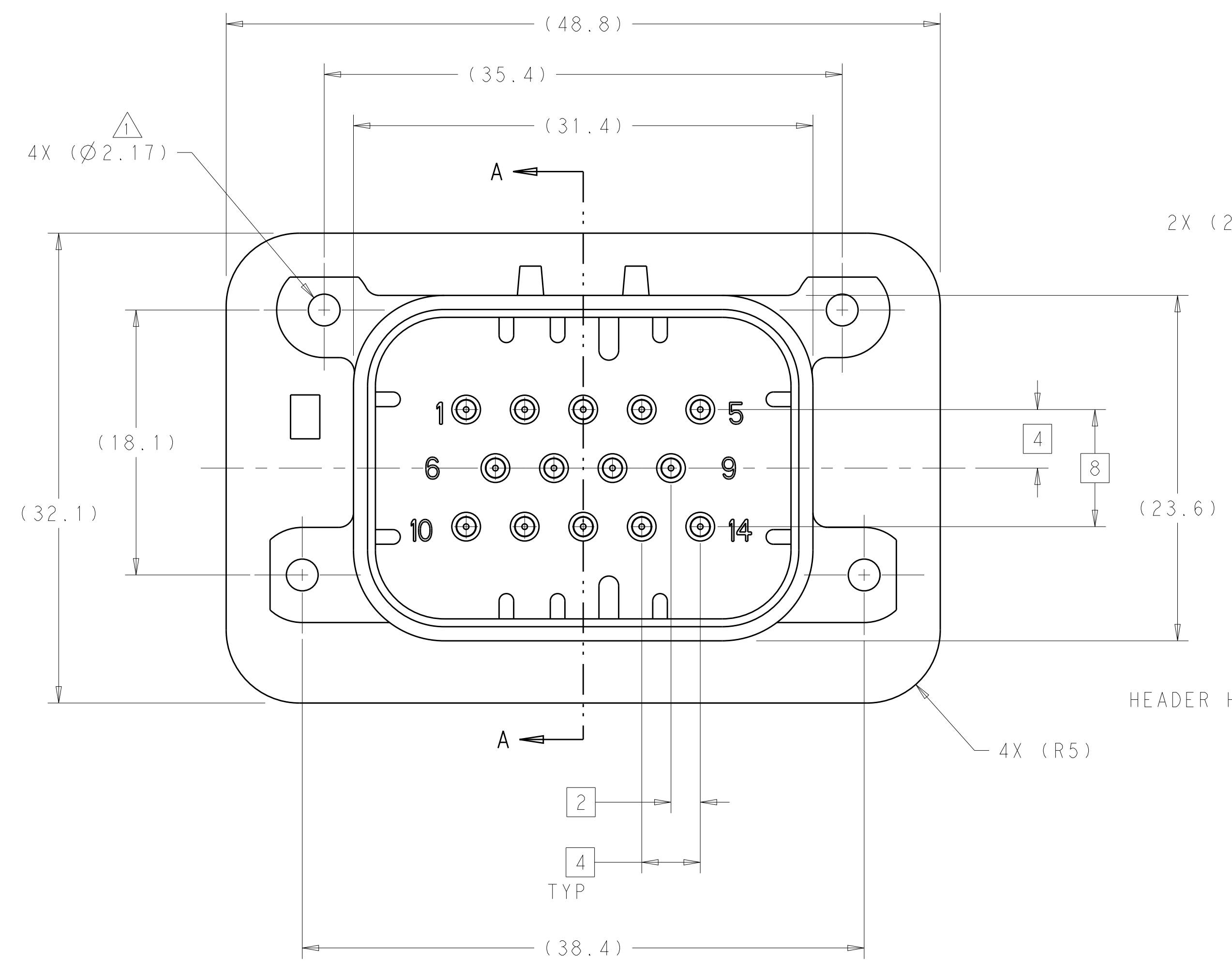
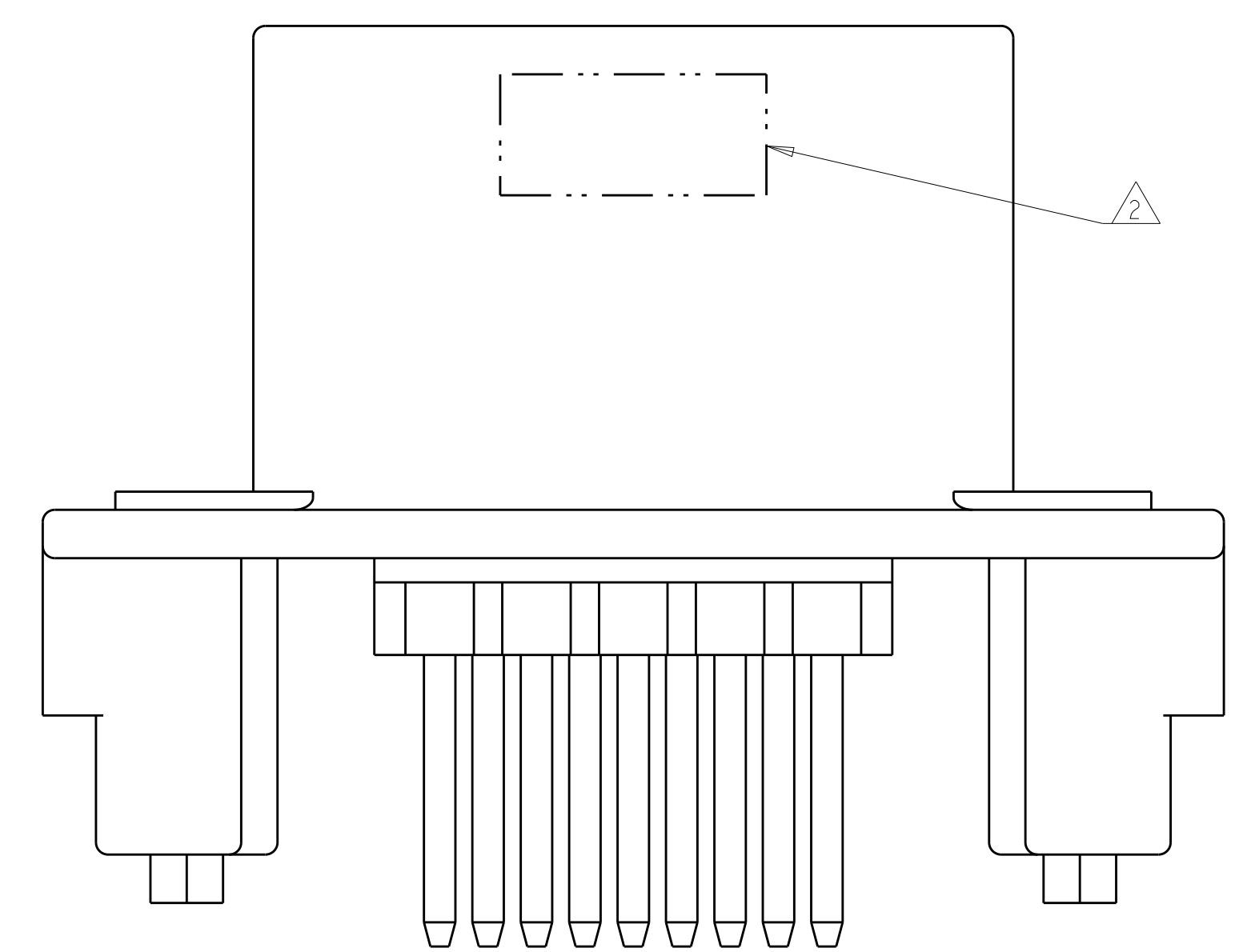


REVISIONS				
P.	LTN	DESCRIPTION	DATE	APP'D
A7		REVISED PER ECO-15-003872	25MAR2015	DD DS



- △ ACCEPTS #3 SELF TAPPING THREAD FORMING SCREWS OR METRIC EQUIVALENT. DRIVE TO 0.6-0.8 N-m.
- △ DATE CODE TO BE BRANDED IN THIS LOCATION PER TE SPEC 102-60. FIRST 2 DIGITS = YEAR, SECOND 2 DIGITS = WEEK LAST DIGIT = DAY.
- △ MATERIALS: HEADER HOUSING - GLASS FILLED PBT
PINS - TIN OR GOLD PLATED BRASS
- △ HOUSING COLORS ARE MECHANICALLY KEYS TO MATE ONLY WITH IDENTICALLY COLORED PLUG ASSEMBLIES.
- 5. HEADER MATES TO PLUG ASSEMBLY 776273 WHICH USES REELED TERMINAL 770520 OR LOOSE PIECE TERMINAL 770854

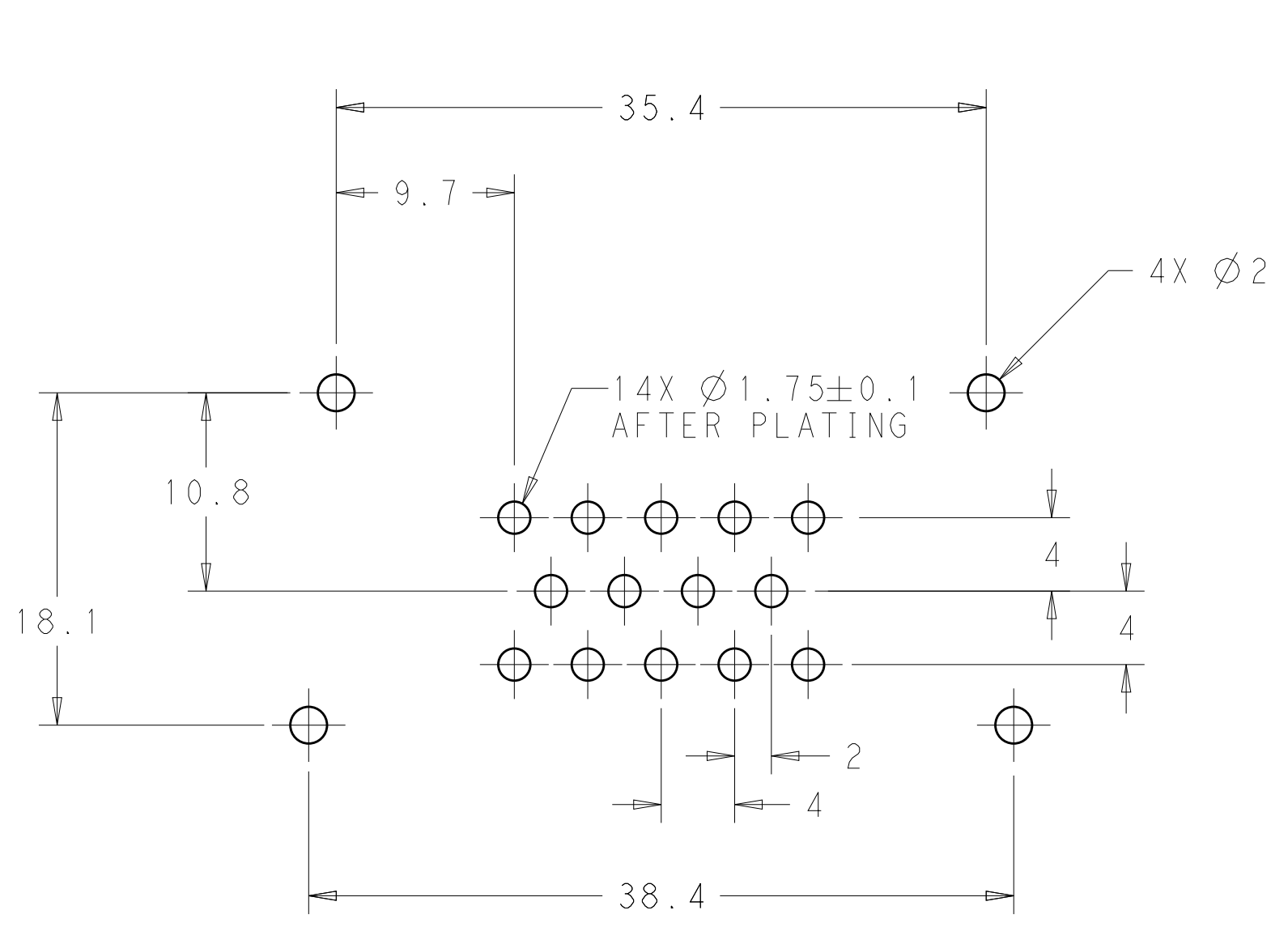


776261-1 & 1-776261-1 SHOWN

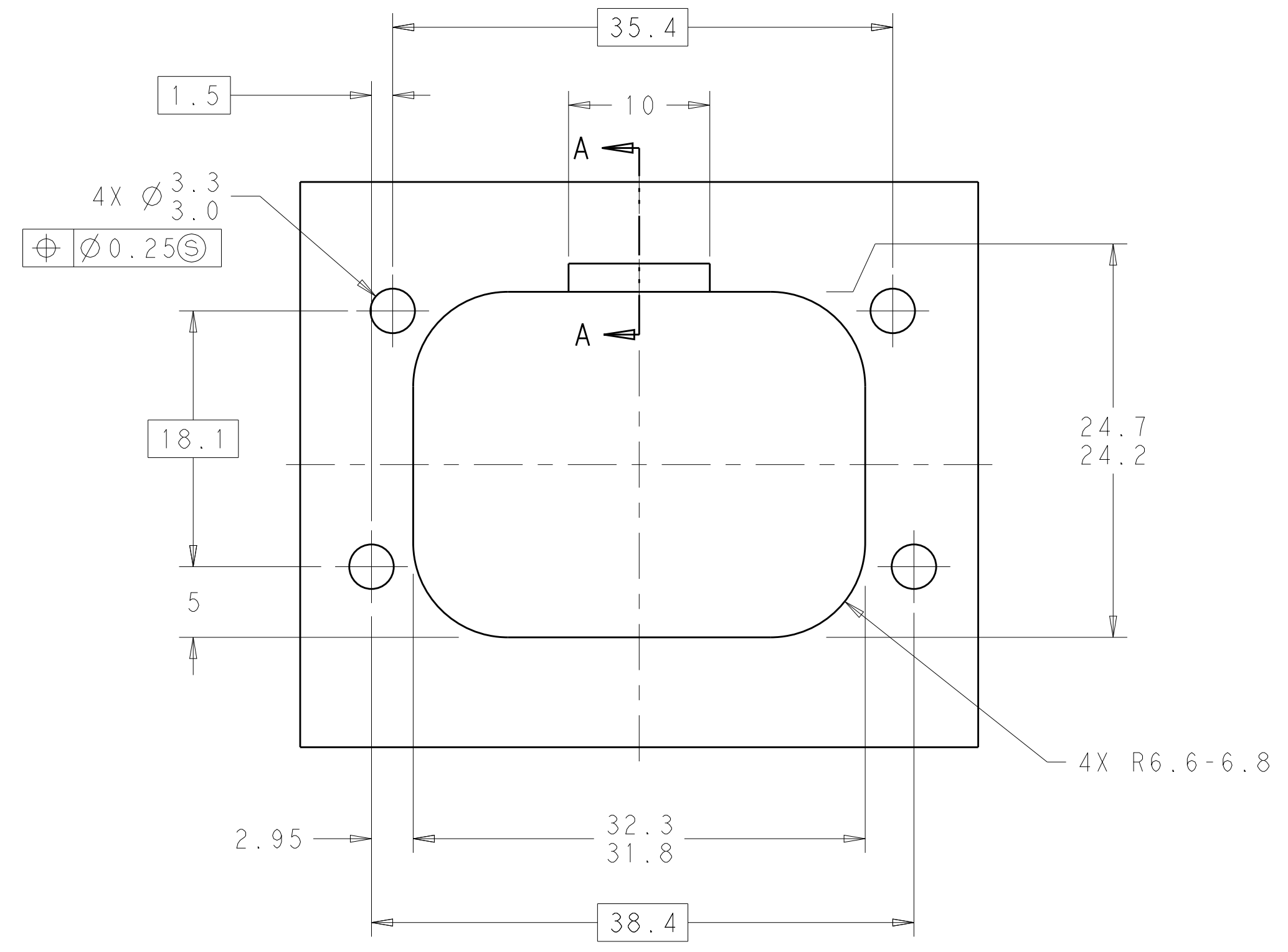
BLUE	DURAGOLD	1-776261-5
GRAY	DURAGOLD	1-776261-4
NATURAL	DURAGOLD	1-776261-2
BLACK	DURAGOLD	1-776261-1
BLUE	TIN	776261-5
GRAY	TIN	776261-4
NATURAL	TIN	776261-2
BLACK	TIN	776261-1
HEADER COLOR △	PLATING	PART NUMBER

THIS DRAWING IS A CONTROLLED DOCUMENT.		OWN: D. STRAUSSER 04FEB2010	TE Connectivity
DIMENSIONS: mm		CHK: D. STRAUSSER 22MAR2010	
TOLERANCES UNLESS OTHERWISE SPECIFIED:		APVD: D. STRAUSSER 27APR2010	NAME: HEADER ASSEMBLY, 14 POSITION, VERTICAL, AMPSEAL
0 PLC ±0.2 1 PLC ±0.13 2 PLC ±0.13 3 PLC ±0.13 4 PLC ±0.13 ANGLES ±4°		PRODUCT SPEC: 108-1329 APPLICATION SPEC: 114-16016 WEIGHT: -	
MATERIAL: △3		FINISH: △3	SIZE: A100779 CAGE CODE: C=776261 CUSTOMER DRAWING: SCALE 4:1 SHEET 1 OF 2 REV A7

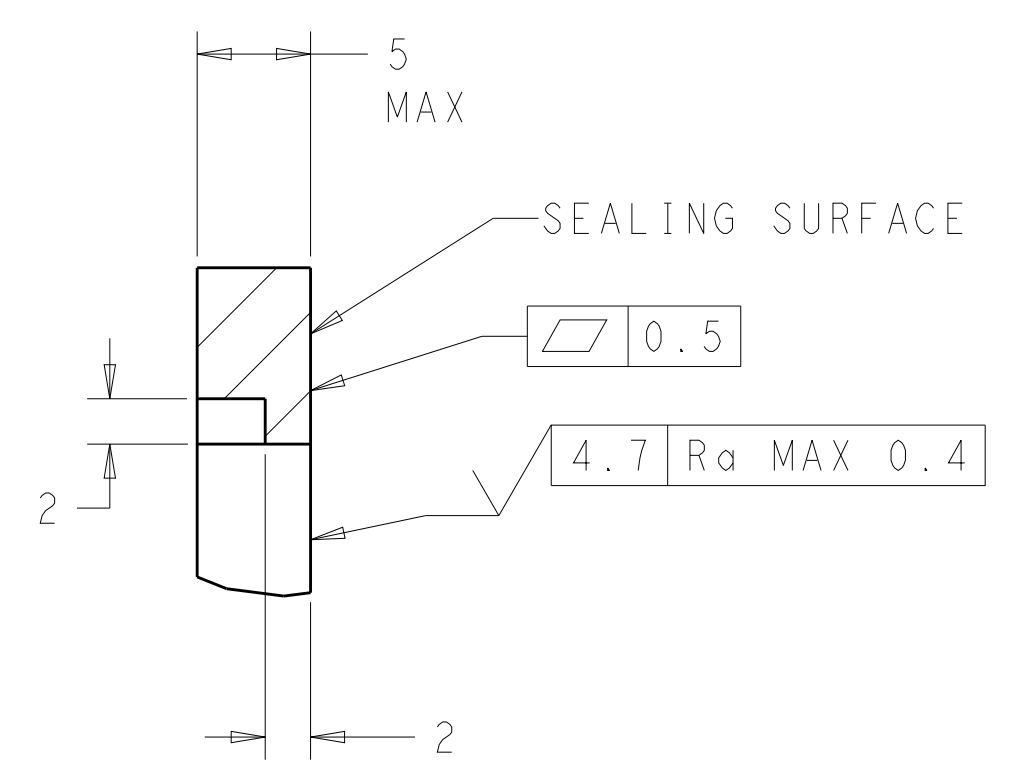
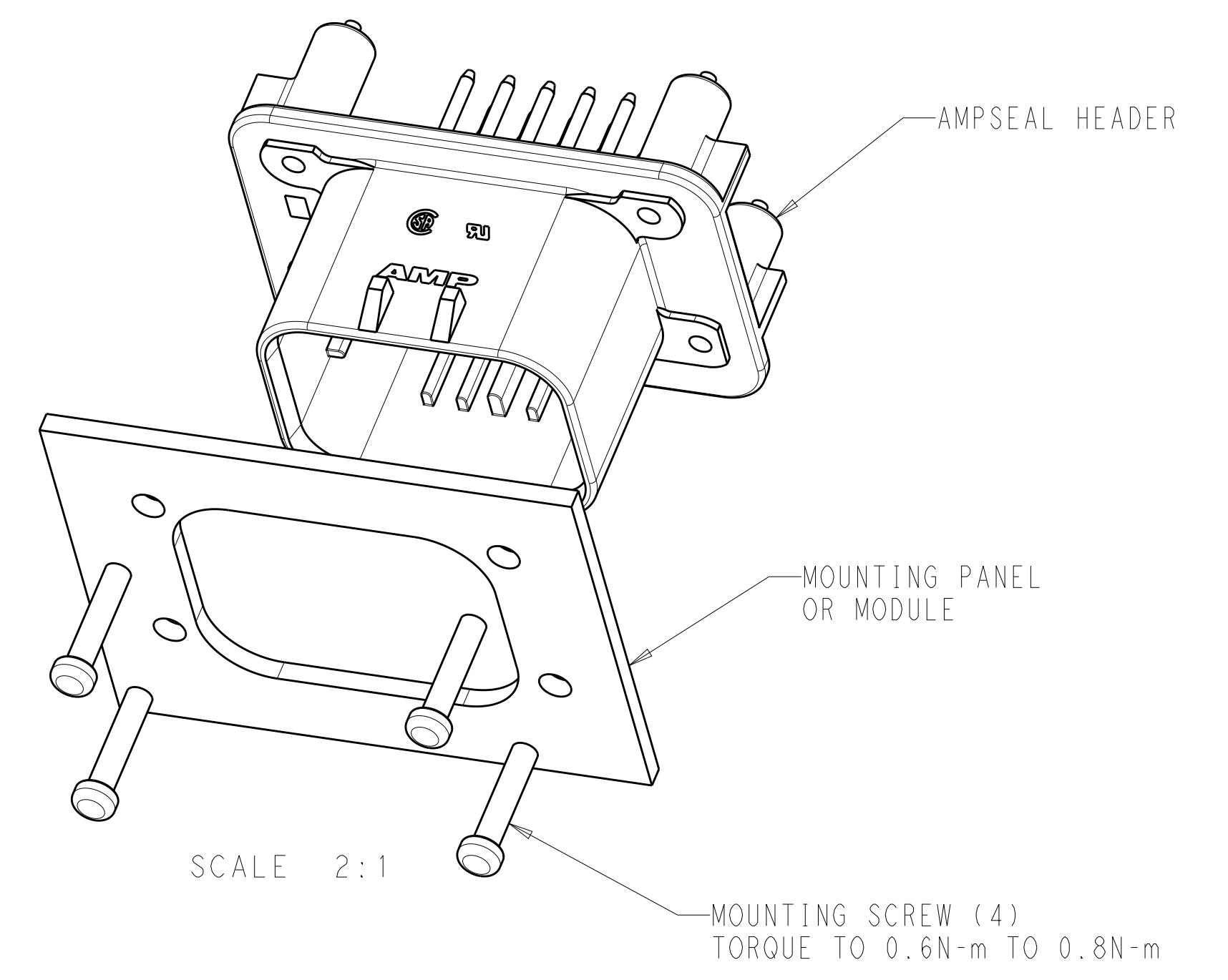
REVISIONS				
P.	LTH	DESCRIPTION	DATE	APVD
-	-	SEE SHEET 1	-	-



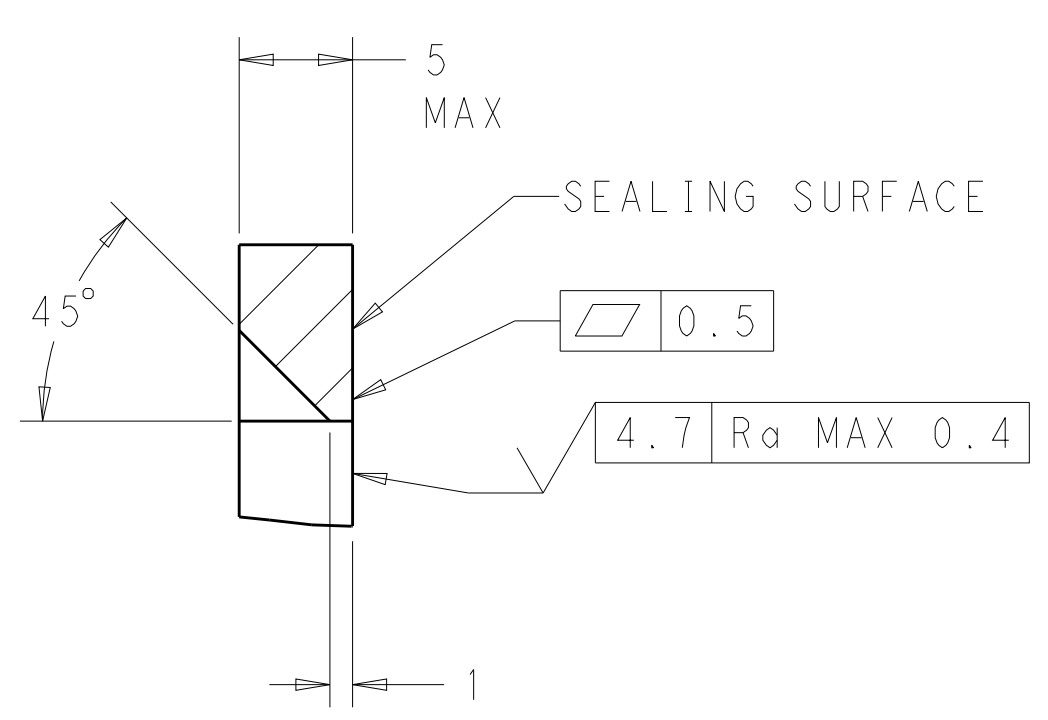
RECOMMENDED P.C. BOARD LAYOUT FOR 1.57 THICK P.C. BOARD



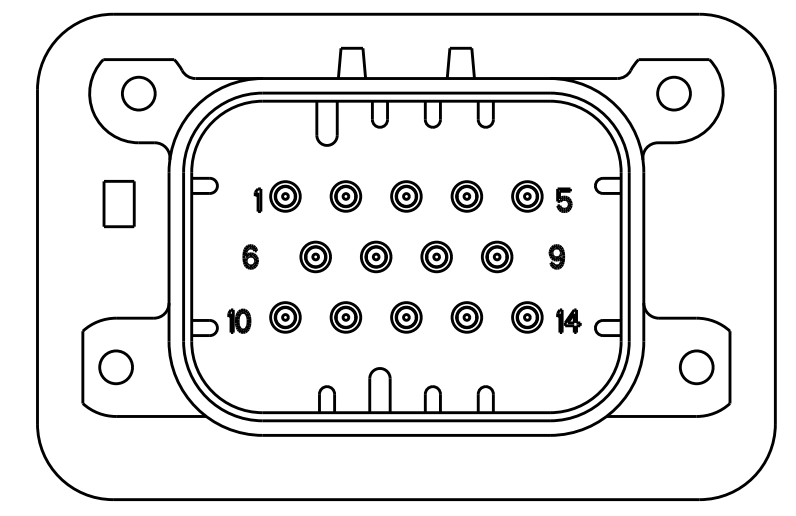
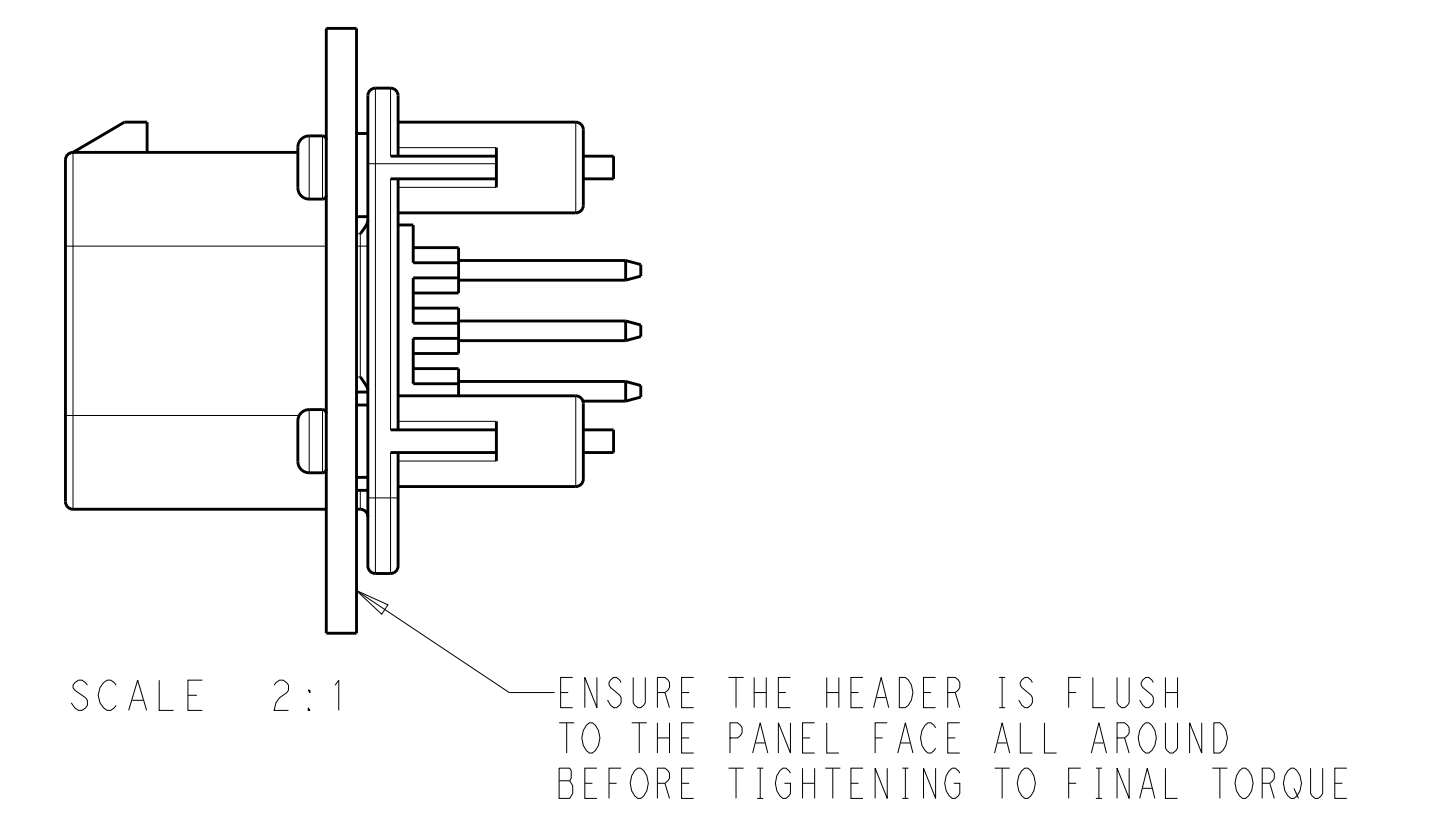
RECOMMENDED MOUNTING HOLE LAYOUT FOR 5.0 MAX THICK PANEL



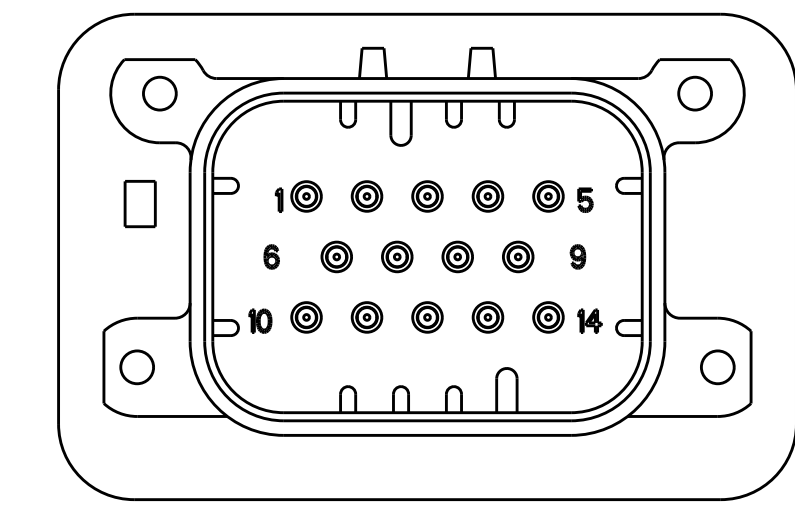
SECTION A-A
OPTIONAL CONSTRUCTION IF PANEL THICKNESS IS GREATER THAN 2.0



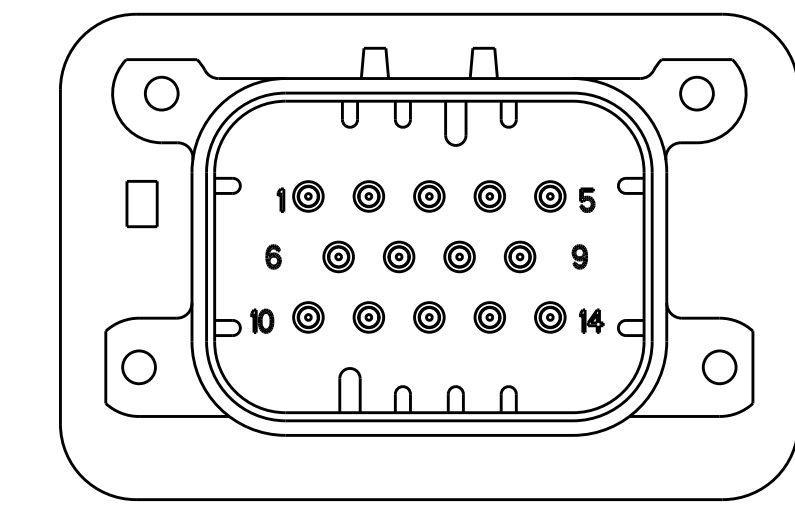
SECTION A-A
OPTIONAL CONSTRUCTION IF PANEL THICKNESS IS GREATER THAN 2.0



776261-2 & 1-776261-2
KEY LOCATION
SCALE 2:1



776261-4 & 1-776261-4
KEY LOCATION
SCALE 2:1



776261-5 & 1-776261-5
KEY LOCATION
SCALE 2:1

THIS DRAWING IS A CONTROLLED DOCUMENT.		OWN: D. STRAUSSER 04FEB2010 CHK: D. STRAUSSER 22MAR2010 APVD: D. STRAUSSER 27APR2010	TE Connectivity NAME: HEADER ASSEMBLY, 14 POSITION, VERTICAL, AMPSEAL
DIMENSIONS: mm	TOLERANCES UNLESS OTHERWISE SPECIFIED:	PRODUCT SPEC: 108-1329 APPLICATION SPEC: 114-16016	
MATERIAL: -	FINISH: -	WEIGHT: -	RESTRICTED TO: -
CUSTOMER DRAWING		SCALE: 4:1	SHEET 2 OF 2 REV A7